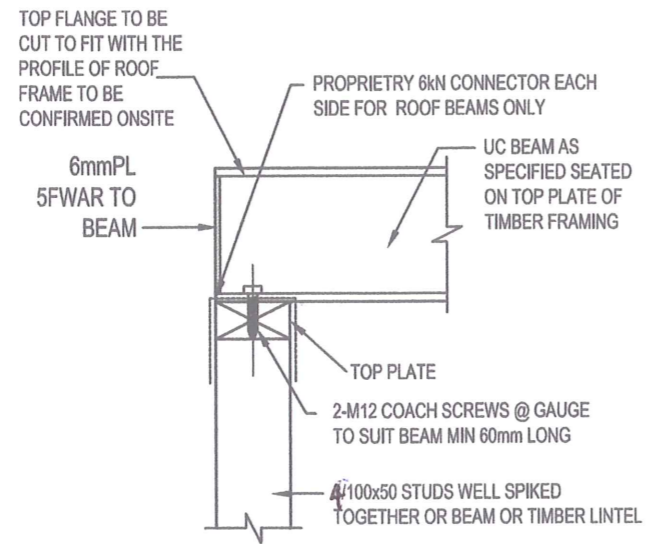
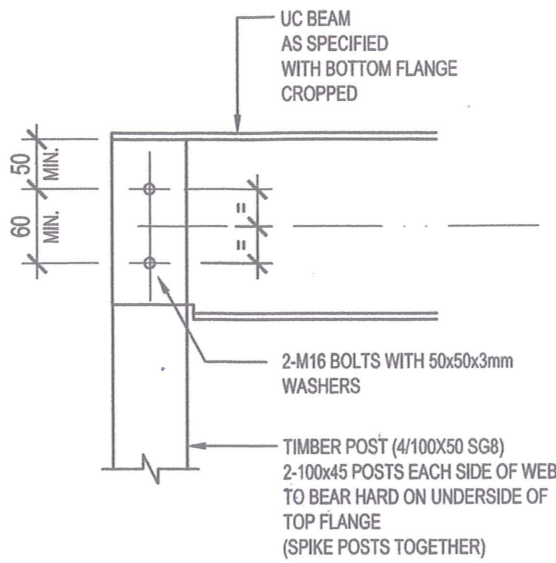


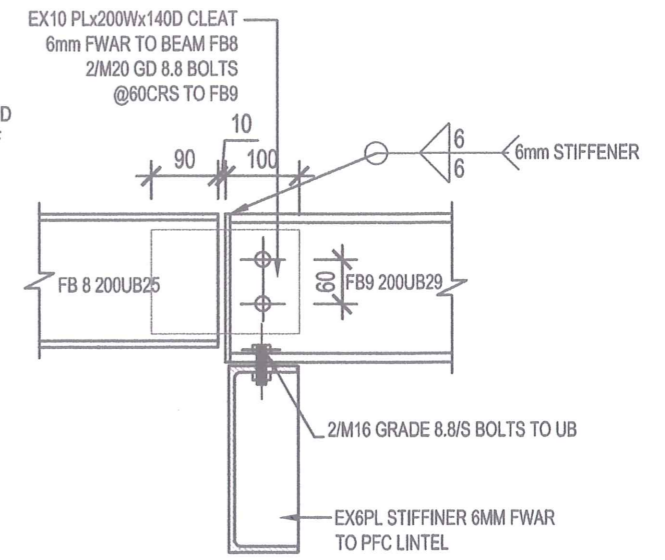
DETAIL 11



DETAIL 12 OR DETAIL 12

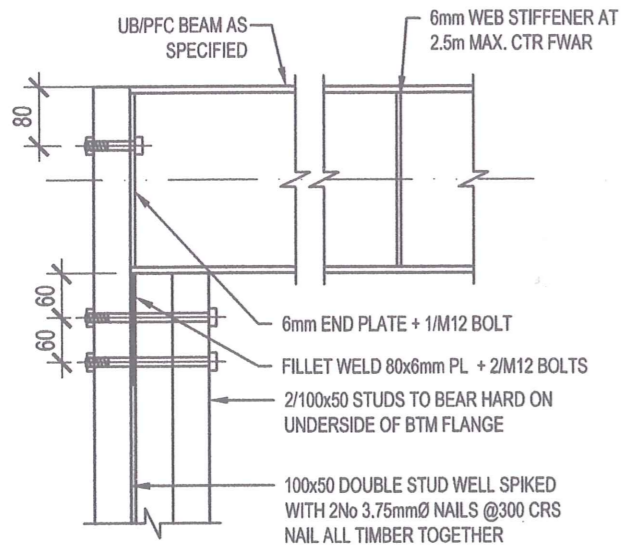


DETAIL 13

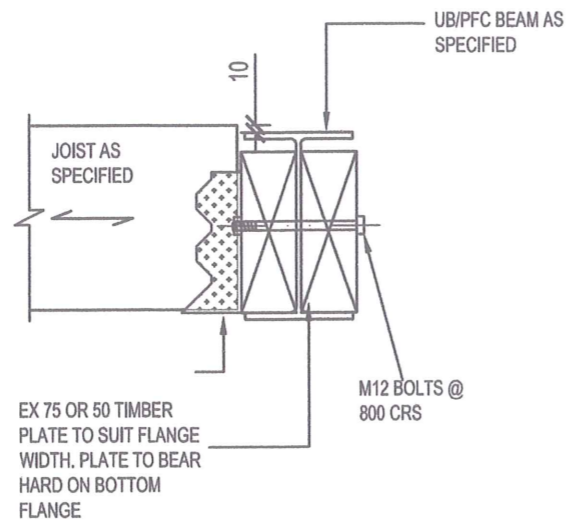


DETAIL 14
AUCKLAND COUNCIL
17 DEC 2014
APPROVED
BUILDING CONSENT PLANS

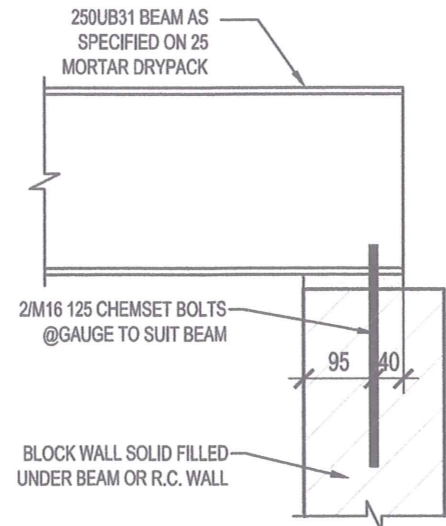
These plans/Specifications must be kept on the job



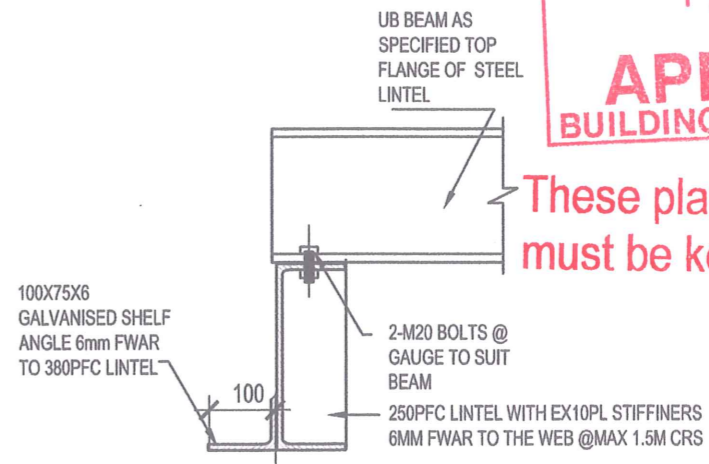
DETAIL 15



DETAIL 16



DETAIL 17



DETAIL 18

B AUCKLAND COUNCIL
20142932
SOUTHERN

DESIGNED RW			NEWLAND CONSULTANTS LTD 21 Kinleith Way, Albany 0632 NORTH SHORE CITY Tel: 09-443 8190 Fax: 09-443 8196 Email: phuang@newland.co.nz	TITLE JINGJIN ZHANG 26 KELLS PLACE, HIGHLAND PARK, AUCKLAND STEEL CONNECTION DETAILS	CADFILE 14137/S04	DATE SEP 2014
DRAWN RW					SCALES (A3) AS SHOWN	DRAWING No. S04
0	FIRST ISSUE	CHECKED				
REV	DESCRIPTION	BY	DATE	PH		